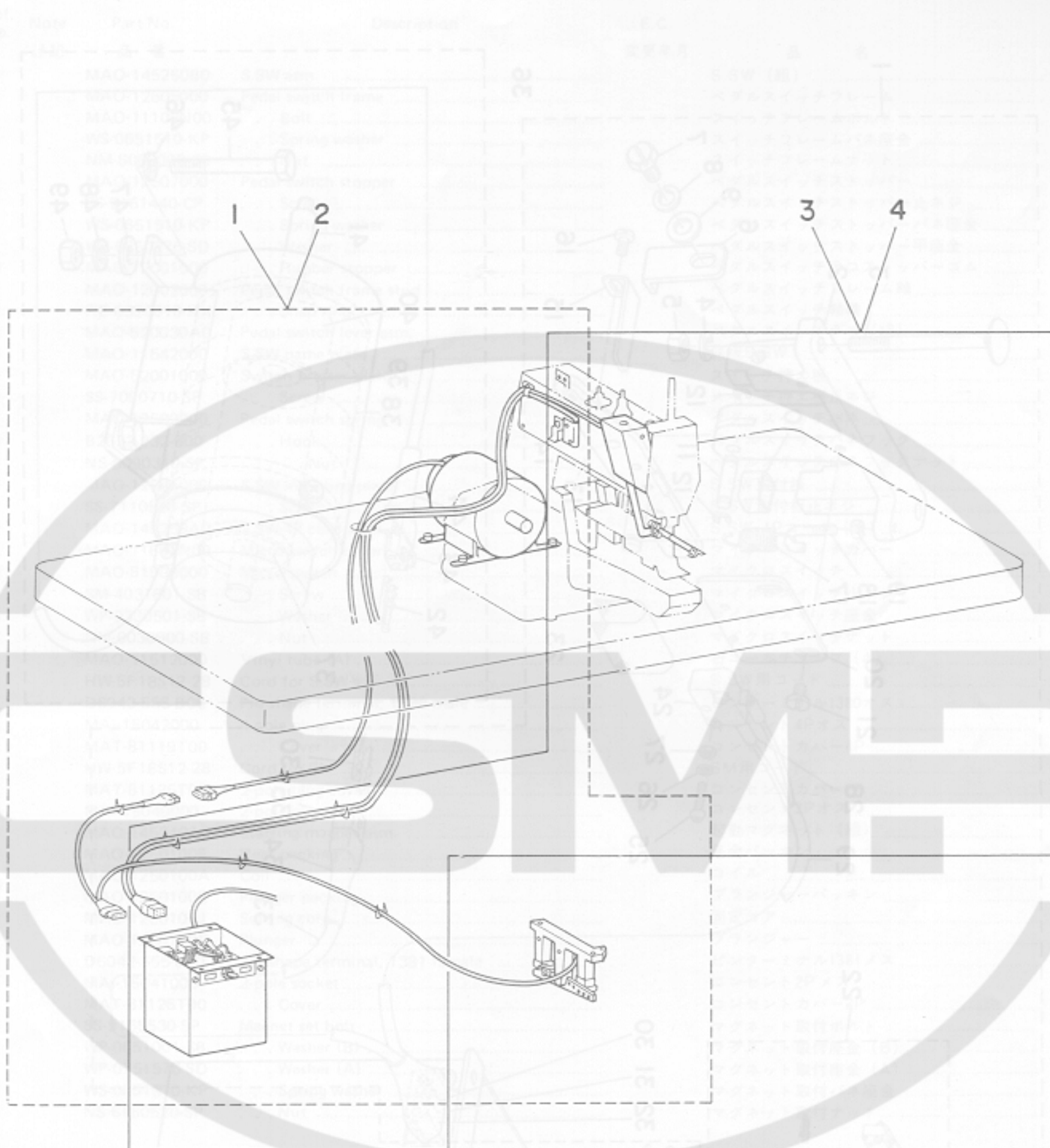


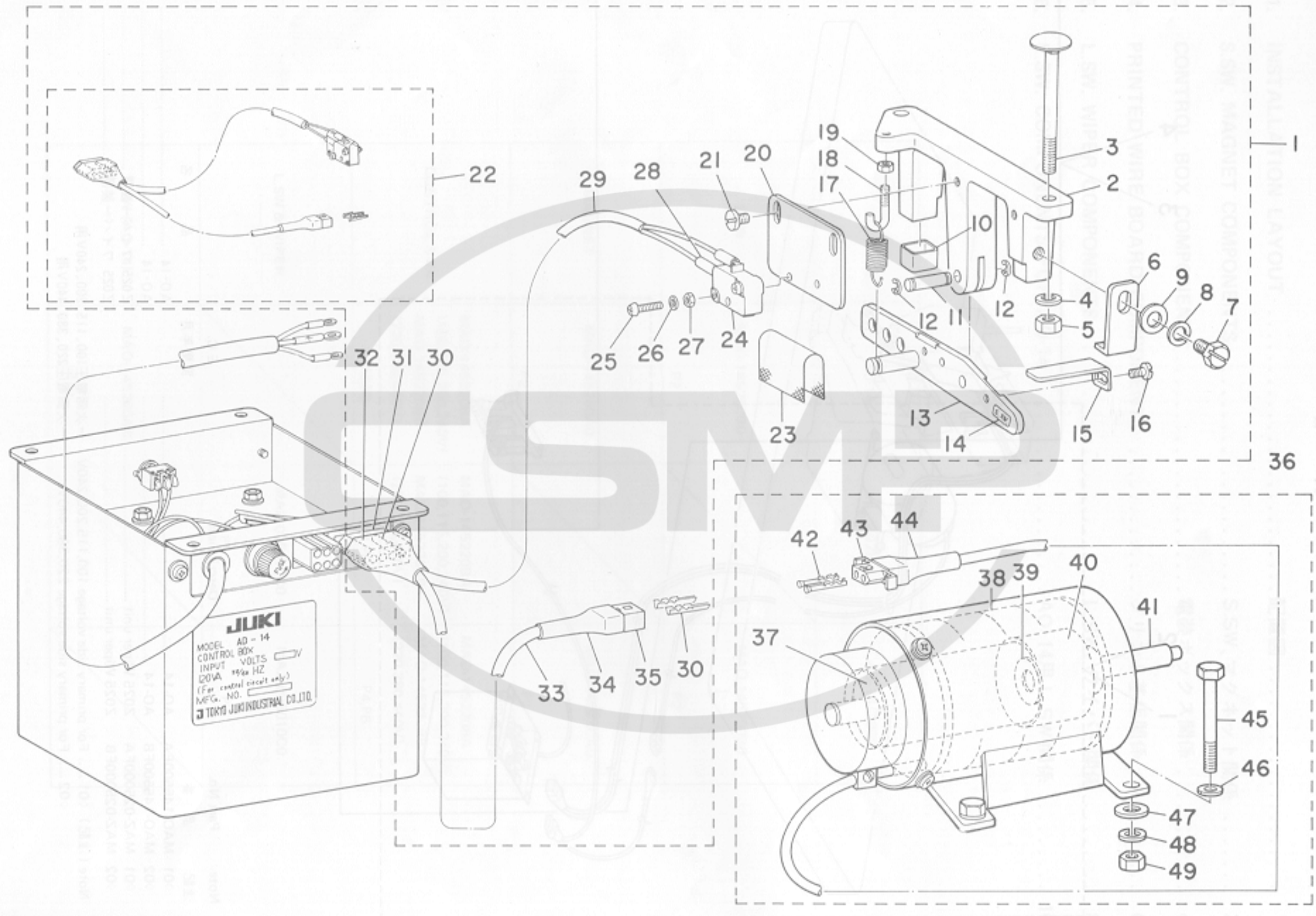
# 1. INSTALLATION LAYOUT

配置図



Ref. No.	Note	Part No.	Description	E.C.	品名	Amt. Req.
	注記	品番		変更年月		数量
1	◇01	MAO-145500FA	AO-14 .....		AO-14 .....	1
2	◇02	MAO-145500FB	AO-14 .....		AO-14 .....	1
3	◇01	MAZ-025000FA	Z025 Wiper unit .....		Z025 ワイパー装置 .....	1
4	◇02	MAZ-025000FB	Z025 Wiper unit .....		Z025 ワイパー装置 .....	1

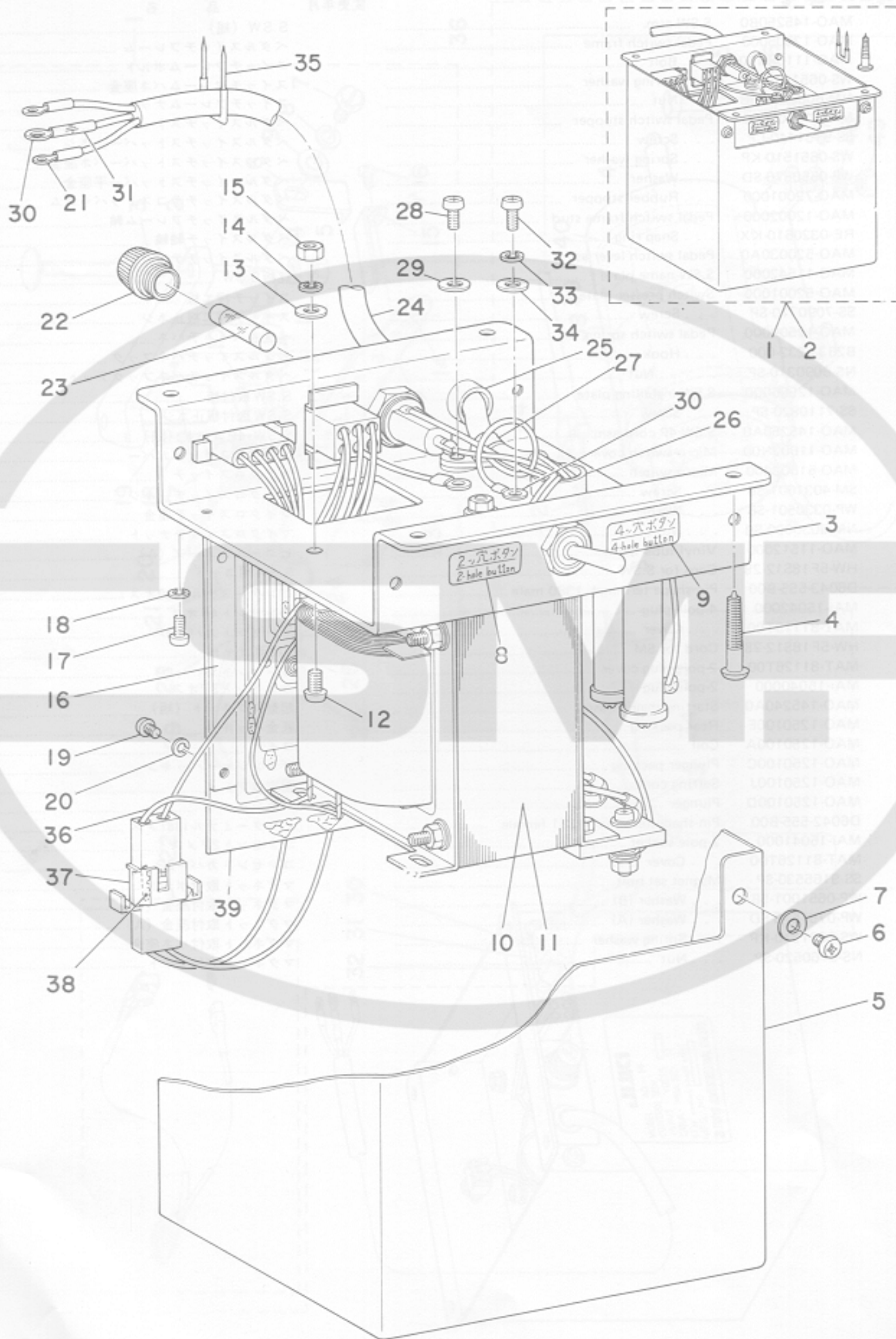
Note (注記) ◇01 ..... For primary side voltage 100,115,200,240V 一次側電圧100、115、200、240V用  
 ◇02 ..... For primary side voltage 220,380,440V 一次側電圧220、380、440V用



2. S.SW, MAGNET COMPONENTS (AO-14, AO-14/Z025)

S.SW、マグネット関係(AO-14、AO-14/Z025)

Ref. No.	Note	Part No.	Description	E.C.	Amt. Req.
	注記	品番		変更年月	数量
1		MAO-14525080	S.SW asm.		1
2		MAO-12505000	Pedal switch frame		(1)
3		MAO-11108N00	. . . Bolt		(1)
4		WS-0651510-KP	. . . Spring washer		(2)
5		NM-6060000-SB	. . . Nut		(2)
6		MAO-12507000	Pedal switch stopper		(1)
7		SS-9151440-CP	. . . Screw		(1)
8		WS-0651510-KP	. . . Spring washer		(1)
9		WP-0650876-SD	. . . Washer		(1)
10		MAO-72001000	. . . Rubber stopper		(1)
11		MAO-12002000	Pedal switch frame stud		(1)
12		RE-0320610-KX	. . . Snap ring		(1)
13		MAO-520030A0	Pedal switch lever asm.		(2)
14		MAO-11542000	S.SW name plate		(1)
15		MAO-52001000	Switch presser plate		(1)
16		SS-7090710-SP	. . . Screw		(1)
17		MAO-12509000	Pedal switch spring		(1)
18		B2633-232-000	. . . Hook		(1)
19		NS-6090310-SP	. . . . . Nut		(1)
20		MAO-12506000	S.SW installing plate		(1)
21		SS-7110820-SP	. . . Screw		(1)
22		MAO-145250A0	S.SW-4P cord asm.		(2)
23		MAO-11602N00	Micro-switch cover		(1)
24		MAO-51503000	Micro-switch		(1)
25		SM-4031601-SB	. . . Screw		(2)
26		WP-0330501-SB	. . . Washer		(2)
27		NM-6030000-SB	. . . Nut		(2)
28		MAO-11512000	Vinyl tube (A)		(2)
29		HW-5F18S12-28	Cord for S.SW		(0.7)
30		D6043-555-B00	Pin-shape terminal, 1380 male		(6)
31		MAi-15042000	4-pole plug		(1)
32		MAT-81119T00	. . . Cover		(1)
33		HW-5F18S12-28	Cord for SM		(0.5)
34		MAT-81126T00	2-pole plug cover		(1)
35		MAi-15040000	2-pole plug		(1)
36		MAO-145240A0	Starting magnet asm.		(1)
37		MAO-1250100E	Rear packing		1
38		MAO-1250100A	Coil		(1)
39		MAO-1250100C	Plunger packing		(1)
40		MAO-1250100J	Setting core		(1)
41		MAO-1250100D	Plunger		(1)
42		D6042-555-B00	Pin-shape terminal, 1381 female		(2)
43		MAi-15041000	2-pole socket		(1)
44		MAT-81126T00	. . . Cover		(1)
45		SS-9165530-SP	Magnet set bolt		(4)
46		WP-0651001-SB	. . . Washer (B)		(4)
47		WP-0751576-SD	. . . Washer (A)		(4)
48		WS-0651510-KP	. . . Spring washer		(4)
49		NS-6160520-SP	. . . Nut		(4)



### 3. CONTROL BOX COMPONENTS

### 電装ボックス関係

Ref. No.	Note	Part No.	Description	E.C.	品名	Amt. Req.
	注記	品番		変更年月		数量
1	01	MAO-145220BA	Control box asm.		電装ボックス (組)	1
2	02	MAO-145220BB	Control box asm.		電装ボックス (組)	1
3		MAO-14504000	Control box installing base		電装取付台	(1)
4		SK-3452000-SC	Wooden screw		電装取付木ネジ	(4)
5		MAO-12513000	Control box installing base cover		電装取付台カバー	(1)
6		SM-4040601-SB	Screw		電装取付台カバー止ネジ	(4)
7		WP-0450501-SB	Washer		電装取付台カバー用座金	(4)
8		MAO-12517000	2-hole button name plate		銘板 2ツ穴ボタン	(1)
9		MAO-12516000	4-hole button name plate		銘板 4ツ穴ボタン	(1)
10	01	MAO-1251100A	Transformer		電源トランス	(1)
11	02	MAO-1251100B	Transformer		電源トランス	(1)
12		SM-4041601-SB	Screw		電源トランス止ネジ	(4)
13		WP-0450501-SB	Washer		電源トランス用座金	(4)
14		WS-0411002-KB	Spring washer		電源トランス用バネ座金	(4)
15		NM-6040000-SB	Nut		電源トランス止ナット	(4)
16		MAT-80152T00	Printed wire board support plate		プリント支持板	(2)
17		SM-4031001-SB	Screw		プリント支持板止ネジ	(2)
18		WS-0310702-KB	Spring washer	D.8/79	WS-0310702-KS	-
		WS-0310702-KS	Spring washer	A.8/79	プリント支持板バネ座金	(2)
19		SM-4030601-SB	Printed wire board screw		プリント板止ネジ	(4)
20		WS-0310702-KB	Spring washer	D.8/79	WS-0310702-KS	-
		WS-0310702-KS	Spring washer	A.8/79	プリント板用バネ座金	(4)
21		HP-1A32PLC-12	Solderless terminal		圧着端子	(2)
22		MAT-80142T00	Fuse holder for #4000		ヒューズホルダー #4000ネジ式	(1)
23		MAT-80143T00	Fuse 3A		硝子管ヒューズ 3A	(1)
24		MAT-80151T00	Power source cord 0.75 <sup>2</sup> with 3 cores		電源コード 0.75 <sup>2</sup> 3芯	(1.2)
25		MAT-80147T00	Rubber bushing TB0813		ゴムブッシュ TB0813	(1)
26		MAT-80148T00	Rubber bushing TB1116		ゴムブッシュ TB1116	(1)
27		MAT-80159T00	Power source cord holder		電源コード引き止	(1)
28		SM-4041001-SB	Screw		電源コードクランプ止ネジ	(1)
29		WP-0450501-SB	Washer		電源コードクランプ座金	(1)
30		HP-1A43PEC-12	Ground wire terminal		接地端子	(2)
31		MAT-80158T00	Ground wire mark tube		アースマークチューブ	(1)
32		SM-4041001-SB	Ground wire set screw		接地用止ネジ	(1)
33		WS-0411002-KB	Spring washer		接地用バネ座金	(1)
34		WP-0450501-SB	Washer		接地用座金	(1)
35		MAO-11532000	Staple		ステンプル	(10)
36		HW-2F18S12-14	Electric wire 19/0.18 (YELLOW)		電線 19/0.18 (黄)	(0.5)
37		MAI-15040000	2-pole plug		コンセント 2Pオス	(1)
38		D6043-555-B00	Pin-shape terminal, 1380 male		ピンターミナル 1380オス	(2)
39		MAO-145230A0	Printed wire board asm.		プリント基板 (組)	(1)

Note (注記) 01 ..... For primary side voltage 100,115,200,240V 一次側電圧100、115、200、240V用  
 02 ..... For primary side voltage 220,380,440V 一次側電圧220、380、440V用

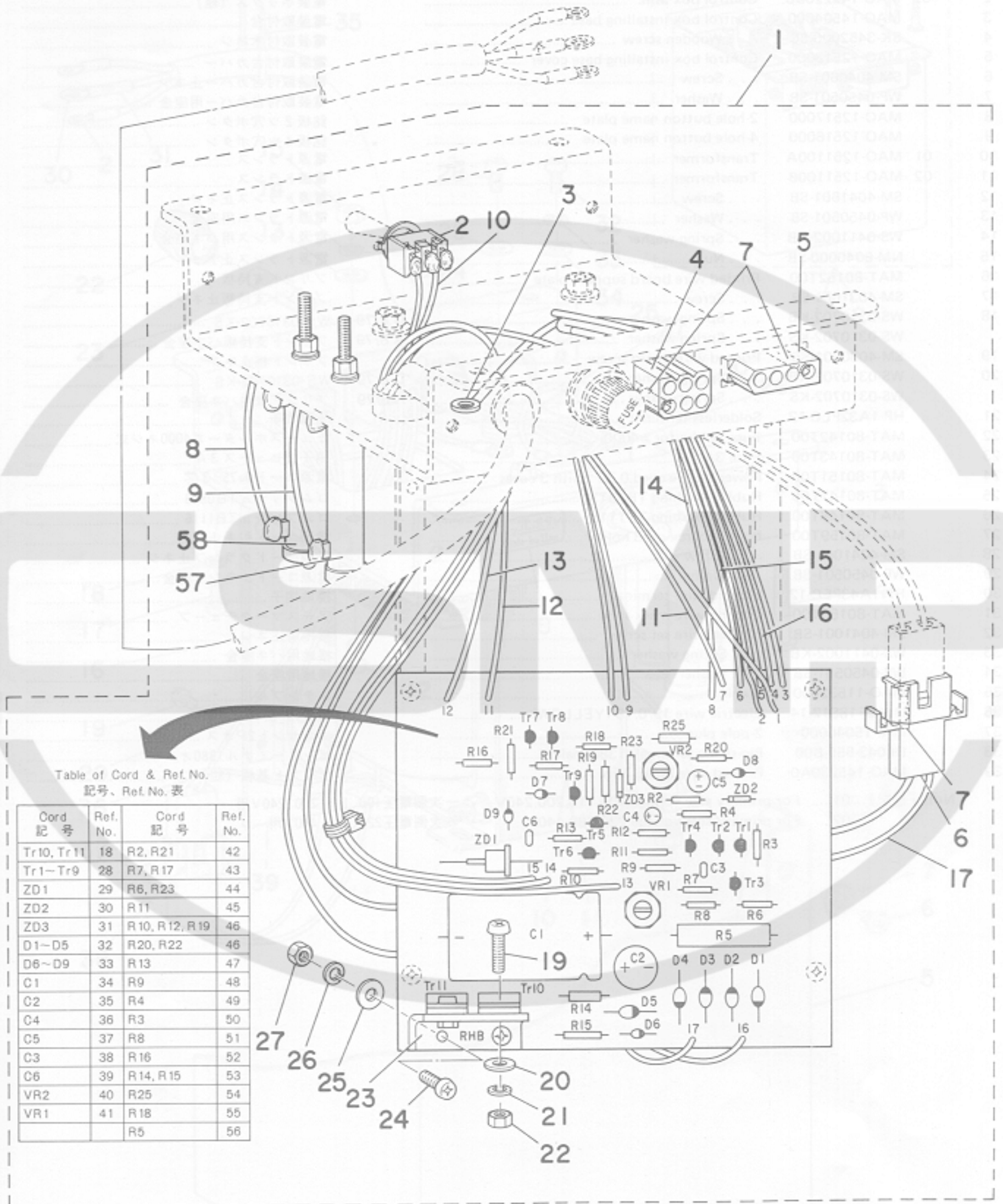


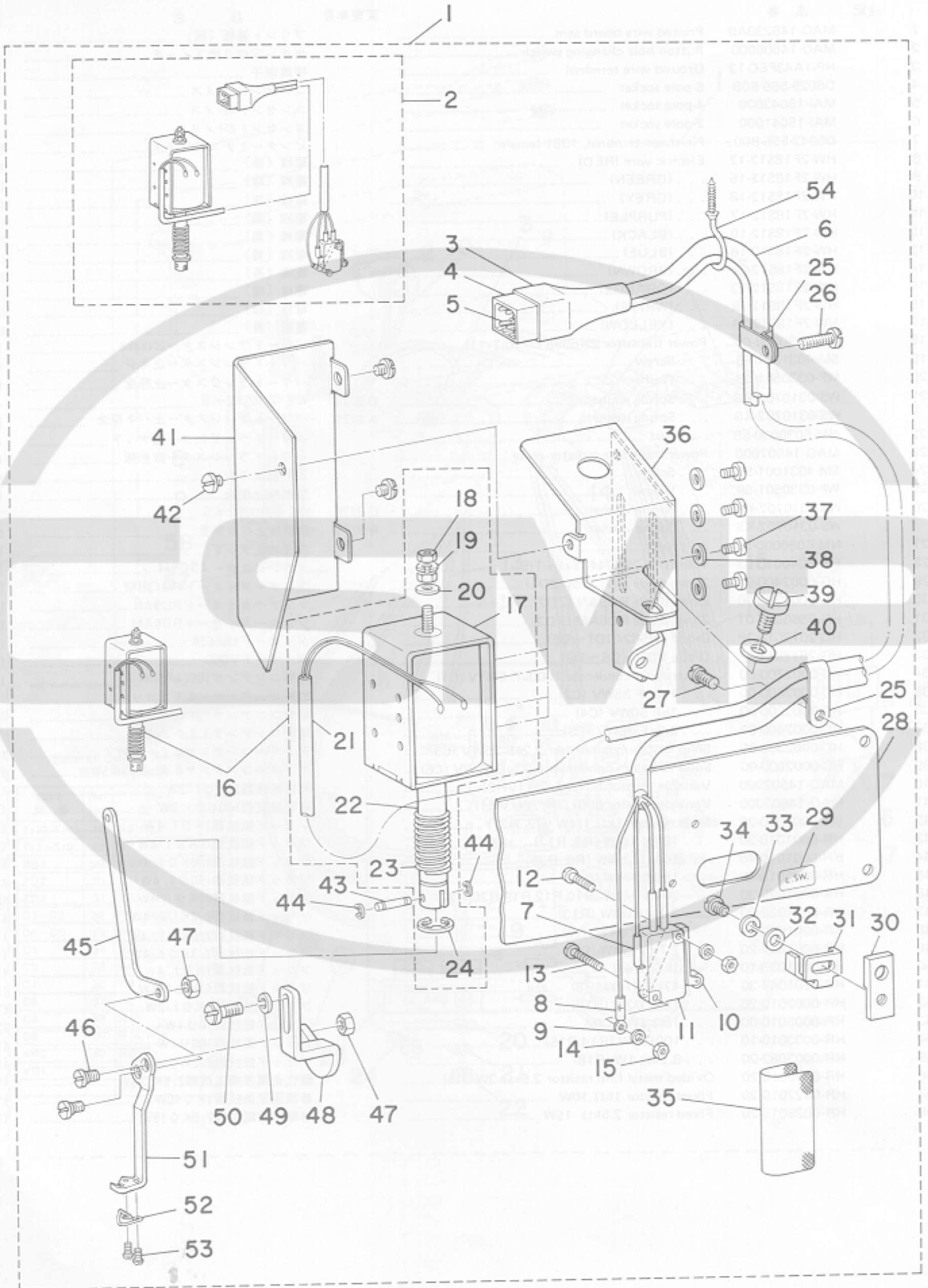
Table of Cord & Ref. No.  
記号、Ref. No. 表

Cord 記号	Ref. No.	Cord 記号	Ref. No.
Tr10, Tr11	18	R2, R21	42
Tr1-Tr9	28	R7, R17	43
ZD1	29	R6, R23	44
ZD2	30	R11	45
ZD3	31	R10, R12, R19	46
D1-D5	32	R20, R22	46
D6-D9	33	R13	47
C1	34	R9	48
C2	35	R4	49
C4	36	R3	50
C5	37	R8	51
C3	38	R16	52
C6	39	R14, R15	53
VR2	40	R25	54
VR1	41	R18	55
		R5	56

## 4. PRINTED WIRE BOARD COMPONENTS

プリント基板関係

Ref. No.	Note	Part No.	Description	E.C.	Amt. Req.
	注記	品番		変更年月	数量
1		MAO-145230A0	Printed wire board asm.		1
2		MAO-14506000	Button hole changing switch		(1)
3		HP-1A43PEC-12	Ground wire terminal		(1)
4		D6029-555-B0B	6-pole socket		(1)
5		MAi-15043000	4-pole socket		(1)
6		MAi-15041000	2-pole socket		(1)
7		D6042-555-B00	Pin-shape terminal, 1381 female		(12)
8		HW-2F18S12-12	Electric wire (RED)		(0.6)
9		HW-2F18S12-15	... (GREEN)		(0.7)
10		HW-2F18S12-18	... (GREY)		(0.3)
11		HW-2F18S12-17	... (PURPLE)		(0.3)
12		HW-2F18S12-10	... (BLACK)		(0.3)
13		HW-2F18S12-16	... (BLUE)		(0.3)
14		HW-2F18S12-11	... (BROWN)		(0.2)
15		HW-2F18S12-13	... (ORANGE)		(0.2)
16		HW-2F18S12-19	... (WHITE)		(0.8)
17		HW-2F18S12-14	... (YELLOW)		(0.3)
18		HT-5L80010-04	Power transistor 2N6388 (Tr10,Tr11)		(2)
19		SM-4031201-SB	... Screw		(2)
20		WP-0330501-SB	... Washer		(2)
21		WS-0310702-KB	... Spring washer	D.8/79	-
		WS-0310702-KS	... Spring washer	A.8/79	(2)
22		NM-6030000-SB	... Nut		(2)
23		MAO-14507000	Power transistor radiator plate		(1)
24		SM-4031001-SB	... Screw		(2)
25		WP-0330501-SB	... Washer		(2)
26		WS-0310702-KB	... Spring washer	D.8/79	-
		WS-0310702-KS	... Spring washer	A.8/79	(2)
27		NM-6030000-SB	... Nut		(2)
28		HT-3C40010-S3	Transistor 2SC944 (Tr1~Tr9)		(9)
29		HG-0002400-00	Zener diode RD13BM (ZD1)		(1)
30		HG-0002300-00	Zener diode RD9AN (ZD2)		(1)
31		HG-35660P1-0T	Zener diode RD6AM (ZD3)		(1)
32		HG-2672014-7P	Diode 1N5624 (D1~D5)		(5)
33		HG-2672011-2P	Diode V06C (D6~D9)		(4)
34		HC-0002700-00	Electrolytic condenser 1000 $\mu$ F 50WV (C1)		(1)
35		HC-0002600-00	... 100 $\mu$ F 35WV (C2)		(1)
36		HC-0002200-00	... 1 $\mu$ F 50WV (C4)		(1)
37		HC-0002400-00	... 3.3 $\mu$ F 35WV (C5)		(1)
38		HC-0002300-00	Solid tantalum condenser 2.2 $\mu$ F 35WV (C3)		(1)
39		HC-0002500-00	Solid tantalum condenser 0.33 $\mu$ F 35WV (C6)		(1)
40		MAO-14502000	Variable resistor 50k $\Omega$ 1/2W (VR2)		(1)
41		MAO-14503000	Variable resistor 500k $\Omega$ 1/2W (VR1)		(1)
42		HR-0001010-20	Solid resistor 1k $\Omega$ 1/4W (R2, R21)		(2)
43		HR-0001010-30	... 10k $\Omega$ 1/4W (R7, R17)		(2)
44		HR-0001010-40	... 100k $\Omega$ 1/4W (R6, R23)		(2)
45		HR-0001015-10	... 150 $\Omega$ 1/4W (R11)		(1)
46		HR-0001020-30	... 20k $\Omega$ 1/4W (R10,R12,R19,R20,R22)		(5)
47		HR-0001022-20	... 2.2k $\Omega$ 1/4W (R13)		(1)
48		HR-0001022-40	... 220k $\Omega$ 1/4W (R9)		(1)
49		HR-0001027-20	... 2.7k $\Omega$ 1/4W (R4)		(1)
50		HR-0001033-10	... 1k $\Omega$ 1/4W		(1)
51		HR-0001047-30	... 47k $\Omega$ 1/4W (R8)		(1)
52		HR-0002010-20	... 1k $\Omega$ 1/2W (R16)		(1)
53		HR-0003010-00	... 10 $\Omega$ 1W (R25)		(2)
54		HR-0003010-10	... 100 $\Omega$ 1W (R14,R15)		(1)
55		HR-0003082-20	... 8.2k $\Omega$ 1W (R18)		(1)
56		HR-0026010-20	Oxidized metal film resistor 2.5k $\Omega$ 3W (R5)		(1)
57		HR-0027010-20	Fixed resistor 1k $\Omega$ 10W		(1)
58		HR-0028015-20	Fixed resistor 2.5k $\Omega$ 15W		(1)

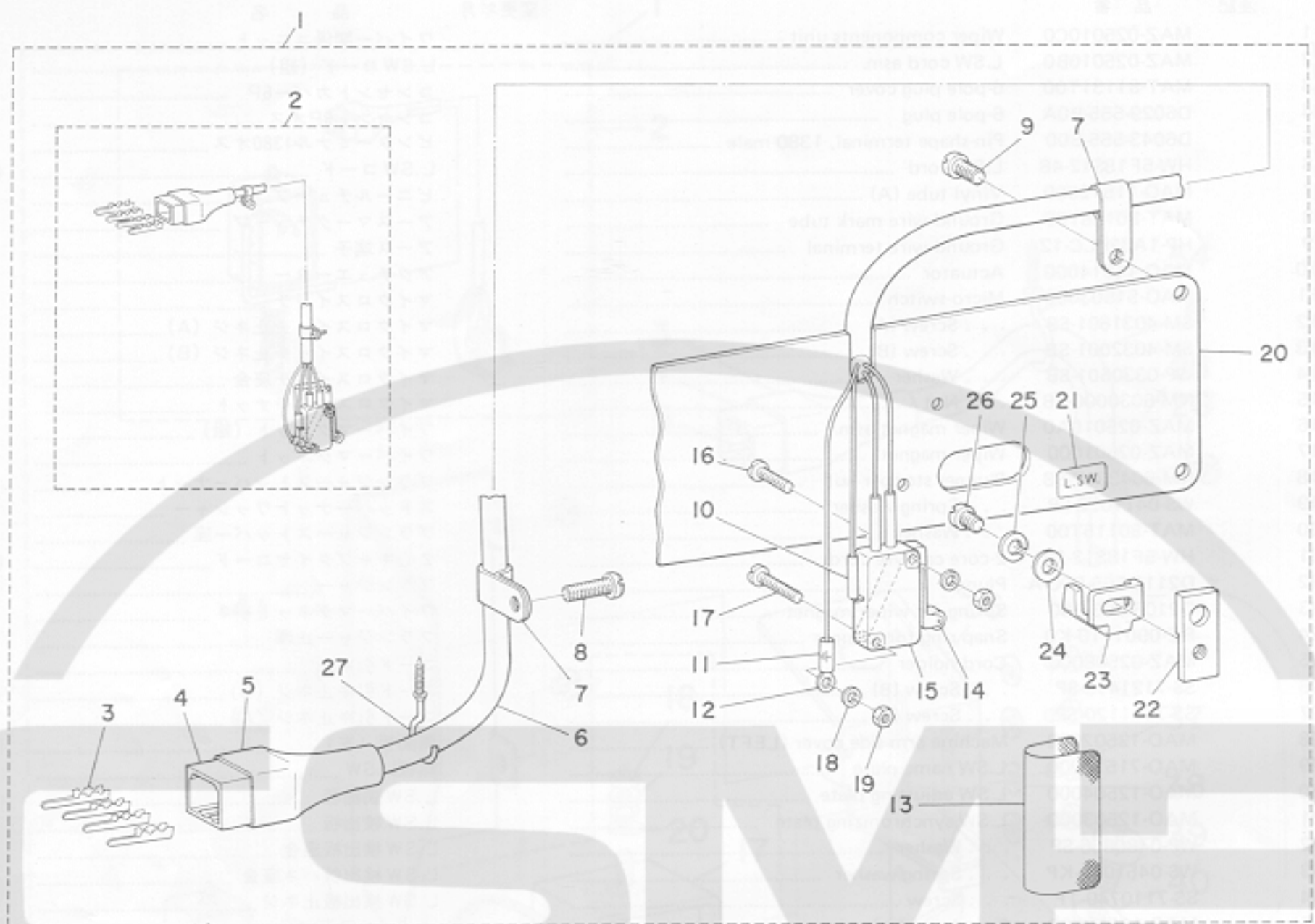




## 5. L.SW, WIPER COMPONENTS (Z025, AO-14/Z025)

## L.SW、ワイパー関係(Z025、AO-14/Z025)

Ref. No.	Note	Part No.	Description	E.C.	品名	Amt. Req.
	注記	品番		変更年月		数量
1		MAZ-025010C0	Wiper components unit .....		ワイパー関係ユニット .....	1
2		MAZ-025010B0	L.SW cord asm. ....		L.SWコード(組) .....	1
3		MAT-81131T00	6-pole plug cover .....		コンセントカバー6P .....	(1)
4		D6029-555-B0A	6-pole plug .....		コンセント6Pオス .....	(1)
5		D6043-555-B00	Pin-shape terminal, 1380 male .....		ピンターミナル1380オス .....	(6)
6		HW-5F18S12-48	L.SW cord .....		L.SWコード .....	(1.1)
7		MAO-11512000	Vinyl tube (A) .....		ビニールチューブ(A) .....	(3)
8		MAT-80158T00	Ground wire mark tube .....		アースマークチューブ .....	(1)
9		HP-1A32PLC-12	Ground wire terminal .....		アース端子 .....	(1)
10		MAO-11514000	Actuator .....		アクチュエーター .....	(1)
11		MAO-51503000	Micro-switch .....		マイクロスイッチ .....	(1)
12		SM-4031601-SB	... Screw (A) .....		マイクロスイッチ止ネジ(A) .....	(1)
13		SM-4032001-SB	... Screw (B) .....		マイクロスイッチ止ネジ(B) .....	(1)
14		WP-0330501-SB	... Washer .....		マイクロスイッチ座金 .....	(2)
15		NM-6030000-SB	... Nut .....		マイクロスイッチナット .....	(2)
16		MAZ-025010A0	Wiper magnet asm. ....		ワイパーマグネット(組) .....	(1)
17		MAZ-02501000	Wiper magnet .....		ワイパーマグネット .....	(1)
18		NM-6043212-SB	Plunger stopper nut .....		プランジャーストッパーナット .....	(2)
19		WS-0411022-SB	... Spring washer .....		ストッパーナットワッシャー .....	(1)
20		MAT-80115T00	... Washer .....		プランジャーストッパー座 .....	(1)
21		HW-5F18S12-28	2-core cabtyre cords .....		2心キャブタイヤコード .....	(1.3)
22		D2118-555-B00-A	Plunger .....		プランジャー .....	(1)
23		D2106-555-B00	Spring for wiper magnet .....		ワイパーマグネットバネ .....	(1)
24		RE-0901110-K0	Snap ring for plunger .....		プランジャー止環 .....	(1)
25		MAZ-02508000	Cord holder .....		コード引き止 .....	2
26		SS-7121410-SP	... Screw (B) .....		コード引き止ネジ(B) .....	1
27		SS-7111120-SP	... Screw (A) .....		コード引き止ネジ(A) .....	1
28		MAO-12502000	Machine arm side cover (LEFT) .....		側面板(左) .....	1
29		MAO-71515000	L.SW name plate .....		銘板L.SW .....	1
30		MAO-12504000	L.SW adjusting plate .....		L.SW調節板 .....	1
31		MAO-12503000	L.SW synchronizing plate .....		L.SW検出板 .....	1
32		WP-0480856-SP	... Washer .....		L.SW検出板座金 .....	1
33		WS-0451040-KP	... Spring washer .....		L.SW検出板バネ座金 .....	1
34		SS-7110740-TP	... Screw .....		L.SW検出板止ネジ .....	1
35		MAO-12518000	Switch insulating paper .....		スイッチ絶縁紙 .....	1
36		MAZ-02502000	Wiper magnet installing base .....		ワイパーマグネット取付台 .....	1
37		SM-4040601-SB	Wiper magnet screw .....		ワイパーマグネット止ネジ .....	4
38		WP-0480856-SD	... Washer .....		ワイパーマグネット止ネジ座金 .....	4
39		SS-6151040-SP	Wiper magnet installing base screw .....	D.6/75	SS-7151210-SP .....	-
		SS-7151210-SP	Wiper magnet installing base screw .....	A.6/75	ワイパーマグネット取付台止ネジ .....	1
40		WP-0621016-SD	... Washer .....		ワイパーマグネット取付台止ネジ座金 .....	1
41		MAZ-02503000	... Cover .....		ワイパーマグネット取付台カバー .....	1
42		SS-7110340-SP	... Screw .....		ワイパーマグネット取付台カバー止ネジ .....	3
43		D2107-555-B00	Wiper link shaft (A) .....		ワイパーリンク軸(A) .....	1
44		RE-0250000-K0	... Snap ring .....	C.10/78	RE-0521010-KP .....	2
45		MAZ-02504000	Wiper link .....		ワイパーリンク .....	1
46		SD-0550211-SP	... Screw .....		ワイパーリンク止ネジ .....	2
47		NS-6110310-SP	... Nut .....		ワイパーリンク止ネジナット .....	2
48		MAZ-02505000	Wiper base .....		ワイパー土台 .....	1
49		WS-0521010-KP	... Spring washer .....		ワイパー土台止ネジ座金 .....	1
50		SS-6121220-SP	... Screw .....		ワイパー土台止ネジ .....	1
51		MAZ-02506000	Wiper .....		ワイパー .....	1
52	☆	MAZ-02507000	Wiper thread guard spring .....	D.1/81	ワイパー糸受ケバネ .....	-
	☆	MAZ-02507000-A	Wiper thread guard spring .....	A.1/81	ワイパー糸受ケバネ .....	1
53		SS-3060410-SP	... Screw .....	D.5/75	SS-5060310-SP .....	-
		SS-5060310-SP	... Screw .....	A.5/75	ワイパー糸受ケバネ止ネジ .....	2
54		D2113-555-B00	Cord holder .....	A.7/75	コード止メ金具 .....	1



Ref. No.	Note	Part No.	Description	E.C.	Amt. Req.
	注記	品番		変更年月	数量
1		MAO-145260A0	L.SW unit		1
2		MAO-145270A0	L.SW 6P plug asm.		1
3		D6043-555-B00	Pin-shape terminal, 1380 male		(4)
4		D6029-555-B0A	6-pole plug		(1)
5		MAT-81131T00	... Cover		(1)
6		HW-5F18S12-48	L.SW cord		(1.1)
7		MAZ-02508000	Cord holder		(2)
8		SS-7121410-SP	... Screw (B)		(1)
9		SS-7111120-SP	... Screw (A)		(1)
10		MAO-11512000	Vinyl tube (A)		(3)
11		MAT-80158T00	Ground wire mark tube		(1)
12		HP-1A32PLC-12	Ground wire terminal		(1)
13		MAO-12518000	Switch insulating paper		(1)
14		MAO-11514000	Actuator		(1)
15		MAO-51503000	Micro-switch		(1)
16		SM-4031601-SB	... Screw (A)		(1)
17		SM-4032001-SB	... Screw (B)		(1)
18		WP-0330501-SB	... Washer		(2)
19		NM-6030000-SB	... Nut		(2)
20		MAO-12502000	Machine arm side cover (LEFT)		1
21		MAO-71515000	L.SW name plate		1
22		MAO-12504000	L.SW adjusting plate		1
23		MAO-12503000	L.SW synchronizing plate		1
24		WP-0480856-SP	... Washer		1
25		WS-0451040-KP	... Spring washer		1
26		SS-7110740-TP	... Screw		1
27		D2113-555-B00	Cord holder	A.7/75	1

7. NUMERICAL INDEX OF PARTS

索引

Part No.	Page	Item	Ref. No.	Part No.	Page	Item	Ref. No.	Part No.	Page	Item	Ref. No.	Part No.	Page	Item	Ref. No.
EXCLUSIVE PARTS		専用部品		MAO-145230A0	7	4	1	HP-1A43PEC-12	5	3	30	SM-4031201-SB	7	4	19
B2633-232-000	3	2	18	MAO-145240A0	3	2	36	HP-1A43PEC-12	7	4	3	SM-4031601-SB	3	2	25
D2106-555-B00	9	5	23	MAO-145250A0	3	2	22	HR-0001010-20	7	4	42	SM-4031601-SB	9	5	12
D2107-555-B00	9	5	43	MAO-145250B0	3	2	1	HR-0001010-30	7	4	43	SM-4031601-SB	10	6	16
D2113-555-B00	9	5	54	MAO-145260A0	10	6	1	HR-0001010-40	7	4	44	SM-4032001-SB	9	5	13
D2113-555-B00	10	6	27	MAO-145270A0	10	6	2	HR-0001015-10	7	4	45	SM-4032001-SB	10	6	17
D2118-555-B00-A	9	5	22	MAO-145500FA	1	1	1	HR-0001020-30	7	4	46	SM-4040601-SB	5	3	6
D6029-555-B0A	9	5	4	MAO-145500FB	1	1	2	HR-0001022-20	7	4	47	SM-4040601-SB	9	5	37
D6029-555-B0A	10	6	4	MAO-51503000	3	2	24	HR-0001022-40	7	4	48	SM-4041001-SB	5	3	28
D6029-555-B0B	7	4	4	MAO-51503000	9	5	11	HR-0001027-20	7	4	49	SM-4041001-SB	5	3	32
D6042-555-B00	3	2	42	MAO-51503000	10	6	15	HR-0001033-10	7	4	50	SM-4041601-SB	5	3	12
D6042-555-B00	7	4	7	MAO-52001000	3	2	15	HR-0001047-30	7	4	51	SS-3060410-SP	9	5	53
D6043-555-B00	3	2	30	MAO-520030A0	3	2	13	HR-0002010-20	7	4	52	SS-5060310-SP	9	5	53
D6043-555-B00	5	3	38	MAO-71515000	9	5	29	HR-0003010-00	7	4	53	SS-6121220-SP	9	5	50
D6043-555-B00	9	5	5	MAO-71515000	10	6	21	HR-0003010-10	7	4	54	SS-6151040-SP	9	5	39
D6043-555-B00	10	6	3	MAO-72001000	3	2	10	HR-0003082-20	7	4	55	SS-7090710-SP	3	2	16
MAi-15040000	3	2	35	MAT-80115T00	9	5	20	HR-0026010-20	7	4	56	SS-7110340-SP	9	5	42
MAi-15040000	5	3	37	MAT-80142T00	5	3	22	HR-0027010-20	7	4	57	SS-7110740-TP	9	5	34
MAi-15041000	3	2	43	MAT-80143T00	5	3	23	HR-0028015-20	7	4	58	SS-7110740-TP	10	6	26
MAi-15041000	7	4	6	MAT-80147T00	5	3	25	HT-3C40010-S3	7	4	28	SS-7110820-SP	3	2	21
MAi-15042000	3	2	31	MAT-80148T00	5	3	26	HT-5L80010-04	7	4	18	SS-7111120-SP	9	5	27
MAi-15043000	7	4	5	MAT-80151T00	5	3	24	HW-2F18S12-10	7	4	12	SS-7111120-SP	10	6	9
MAO-11108N00	3	2	3	MAT-80152T00	5	3	16	HW-2F18S12-11	7	4	14	SS-7121410-SP	9	5	26
MAO-11512000	3	2	28	MAT-80158T00	5	3	31	HW-2F18S12-12	7	4	8	SS-7121410-SP	10	6	8
MAO-11512000	9	5	7	MAT-80158T00	9	5	8	HW-2F18S12-13	7	4	15	SS-7151210-SP	9	5	39
MAO-11512000	10	6	10	MAT-80158T00	10	6	11	HW-2F18S12-14	5	3	36	SS-9151440-CP	3	2	7
MAO-11514000	9	5	10	MAT-80159T00	5	3	27	HW-2F18S12-14	7	4	17	SS-9165530-SP	3	2	45
MAO-11514000	10	6	14	MAT-81119T00	3	2	32	HW-2F18S12-15	7	4	9				
MAO-11532000	5	3	35	MAT-81126T00	3	2	34	HW-2F18S12-16	7	4	13	WASHER	座金		
MAO-11542000	3	2	14	MAT-81126T00	3	2	44	HW-2F18S12-17	7	4	11	WP-0330501-SB	3	2	26
MAO-11602N00	3	2	23	MAT-81131T00	9	5	3	HW-2F18S12-18	7	4	10	WP-0330501-SB	7	4	20
MAO-12002000	3	2	11	MAT-81131T00	10	6	5	HW-2F18S12-19	7	4	16	WP-0330501-SB	7	4	25
MAO-1250100A	3	2	38	MAZ-025000FA	1	1	3	HW-5F18S12-28	3	2	29	WP-0330501-SB	9	5	14
MAO-1250100C	3	2	39	MAZ-025000FB	1	1	4	HW-5F18S12-28	3	2	33	WP-0330501-SB	10	6	18
MAO-1250100D	3	2	41	MAZ-025010A0	9	5	16	HW-5F18S12-28	9	5	21	WP-0450501-SB	5	3	7
MAO-1250100E	3	2	37	MAZ-025010B0	9	5	2	HW-5F18S12-48	9	5	6	WP-0450501-SB	5	3	13
MAO-1250100J	3	2	40	MAZ-025010C0	9	5	1	HW-5F18S12-48	10	6	6	WP-0450501-SB	5	3	29
MAO-12502000	9	5	28	MAZ-02501000	9	5	17					WP-0450501-SB	5	3	34
MAO-12502000	10	6	20	MAZ-02502000	9	5	36	NUT	ナット			WP-0480856-SD	9	5	38
MAO-12503000	9	5	31	MAZ-02503000	9	5	41	NM-6030000-SB	3	2	27	WP-0480856-SP	9	5	32
MAO-12503000	10	6	23	MAZ-02504000	9	5	45	NM-6030000-SB	7	4	22	WP-0480856-SP	10	6	24
MAO-12504000	9	5	30	MAZ-02505000	9	5	48	NM-6030000-SB	7	4	27	WP-0621016-SD	9	5	40
MAO-12504000	10	6	22	MAZ-02506000	9	5	51	NM-6030000-SB	9	5	15	WP-0650876-SD	3	2	9
MAO-12505000	3	2	2	MAZ-02507000	9	5	52	NM-6030000-SB	10	6	19	WP-0651001-SB	3	2	46
MAO-12506000	3	2	20	MAZ-02507000-A	9	5	52	NM-6040000-SB	5	3	15	WP-0751576-SD	3	2	47
MAO-12507000	3	2	6	MAZ-02508000	9	5	25	NM-6043212-SB	9	5	18				
MAO-12509000	3	2	17	MAZ-02508000	10	6	7	NM-6060000-SB	3	2	5	SPRING WASHER	バネ座金		
MAO-1251100A	5	3	10					NS-6090310-SP	3	2	19	WS-0310702-KB	5	3	18
MAO-1251100B	5	3	11	ELECTRON PARTS	電子部品			NS-6110310-SP	9	5	47	WS-0310702-KB	5	3	20
MAO-12513000	5	3	5	HC-0002200-00	7	4	36	NS-6160520-SP	3	2	49	WS-0310702-KB	7	4	21
MAO-12516000	5	3	9	HC-0002300-00	7	4	38					WS-0310702-KB	7	4	26
MAO-12517000	5	3	8	HC-0002400-00	7	4	37	SNAP RING	エリング			WS-0310702-KS	5	3	18
MAO-12518000	9	5	35	HC-0002500-00	7	4	39	RE-0320610-KX	3	2	12	WS-0310702-KS	5	3	20
MAO-12518000	10	6	13	HC-0002600-00	7	4	35	RE-0250000-K0	9	5	44	WS-0310702-KS	7	4	21
MAO-14502000	7	4	40	HC-0002700-00	7	4	34	RE-0901110-K0	9	5	24	WS-0310702-KS	7	4	26
MAO-14503000	7	4	41	HG-0002300-00	7	4	30					WS-0411002-KB	5	3	14
MAO-14504000	5	3	3	HG-0002400-00	7	4	29	SCREW	ネジ			WS-0411002-KB	5	3	33
MAO-14506000	7	4	2	HG-2672011-2P	7	4	33	SD-0550211-SP	9	5	46	WS-0411022-SB	9	5	19
MAO-14507000	7	4	23	HG-2672014-7P	7	4	32	SK-3452000-SC	5	3	4	WS-0451040-KP	9	5	33
MAO-145220BA	5	3	1	HG-35660P1-0T	7	4	31	SM-4030601-SB	5	3	19	WS-0451040-KP	10	6	25
MAO-145220BB	5	3	2	HP-1A32PLC-12	5	3	21	SM-4031001-SB	5	3	17	WS-0521010-KP	9	5	49
MAO-145230A0	5	3	39	HP-1A32PLC-12	9	5	9	SM-4031001-SB	7	4	24	WS-0651510-KP	3	2	4
				HP-1A32PLC-12	10	6	12					WS-0651510-KP	3	2	8
												WS-0651510-KP	3	2	48